

All rights reserved by **CNH Industrial**.

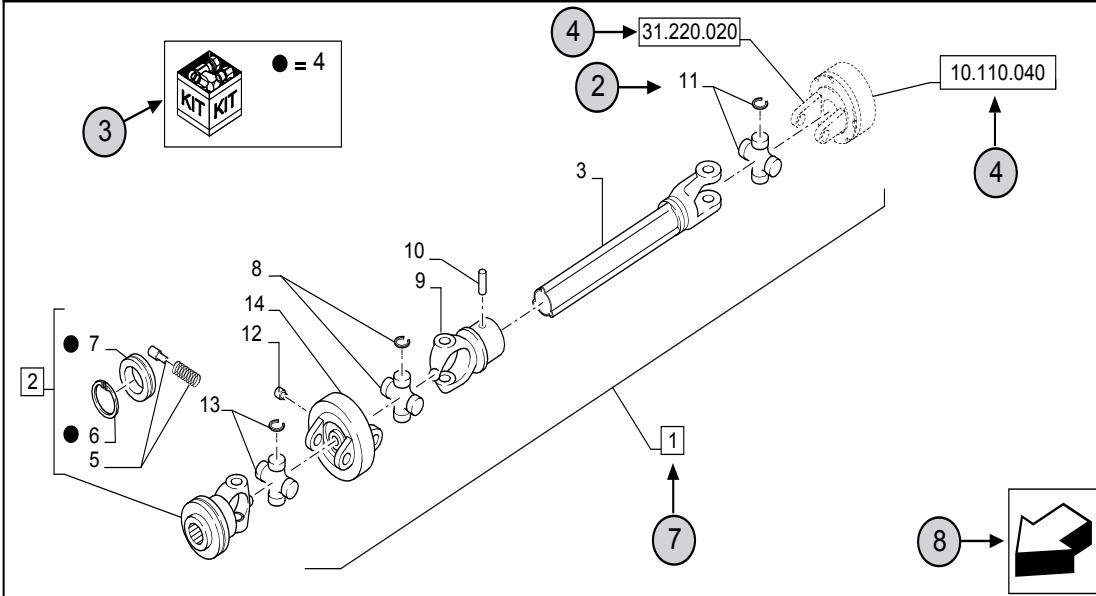
The information contained in this catalogue is intended to be of a general nature only. **CNH Industrial** may at any time and from time to time, for technical or other necessary reasons, modify any of the details or specifications of the product described in this catalogue.

To be sure of getting accurate, detailed and up-to-date information, an intending buyer should consult his nearest **CNH Industrial** dealer or distributor.

Single item numeration method used in this catalogue may not be used without written consent from **CNH Industrial**

31.220.010	01	p1	10/2014
------------	----	----	---------

VAR - 123782, 789101,987654 - PTO - D650



STANDARD ← (6)


(23)	(9)	(10)	31.220.010	01	p1	10/2014
------	-----	------	------------	----	----	---------

VAR - 123782, 789101,987654 - PTO - D650

(11) (12) (13) (14)

REF	FN	PART NUMBER	YR/SN	QTY	DESCRIPTION
1	1	86529340	(20)	1	SHAFT PTO, Incl 2 - 11
2	(15)	84014007		1	YOKE, Incl 4 - 7 ← (7)
3	(16)	NSS		1	NOT SERVICED SEPARATELY, SHAFT, 350mm, Incl in 1
4		84004292		1	KIT, Seal Kit, Incl 6, 7 (17)
4		{84058743}		1	KIT, Seal Kit, Incl 6, 7
(2)	(18)	(19)		(21)	(22)
1 = FOR ITALY ONLY ← (5)					

MODELS ← (1)

- 1 Model Number and Model Description
- 2 Reference - Figure call-out of the part number.
- 3 Parts supplied in repair kits per symbol reference.
- 4 31.220.020 Part illustrated on the **Page** or in the **Figure** indicated, or calls for **Variations** or **Details**. Indicates components shown in detail elsewhere in the catalogue under the figure number shown.
- 5 Footnote references
- 6 Figure notes
- 7 1 2 Includes item(s) ..... (See Description within partlist).
- 8 Orientation. (Arrow indicates front of the machine). 
- 9 Figure description.
- 10 General information of the figure.
- 11 Figure title number that aligns with the SRT. Standard Repair Time.
- 12 **Sequence** code within the assembly.
- 13 Page number within the sequence code.
- 14 **Date** of printing or updating of page (month-year).
- 15 **Note** - Relating to the Part Number. There is a key to symbols and abbreviations at the bottom of the text page.
- 16 Non-serviced parts.
- 17 Further description of the part to help confirm identification.
- 18 Not available as service part.
- 19 Part Number.
- 20 To be defined.
- 21 Total **Quantity** of the Part referred to in the page.  
The quantity can be replaced by the following indications:  
**AR** = quantity as requested.
- 22 Part **Description**.
- 23 Variant Codes

---

## TABLE OF CONTENTS

---

05.100.03		FILTERS & CAPACITIES,5900
05.100.03	01	FILTERS & CAPACITIES, 6610
05.100.03	02	FILTERS & CAPACITIES,6710
05.100.03	03	FILTERS & CAPACITIES,6810
05.100.03	04	FILTERS & CAPACITIES,7410
05.100.03	05	FILTERS & CAPACITIES,5610
05.100.03	07	FILTER & CAPACITIES, 7710
05.100.03	6	FILTER & CAPACITIES, 7610
06A01		ENGINE, CYLINDER BLOCK, HEAD & RELATED PARTS
06A02		KIT, STEPPED STUD ENGINE BLOCK (12-86/)
06B01		CRANKSHAFT, FLYWHEEL & RELATED PARTS
06C01		CAMSHAFT, ROCKER ARM, VALVES & RELATED PARTS
06D01		OIL PUMP & OIL PAN (SUMP)
06E01		MANIFOLD & EXHAUST SYSTEM - 5110, 5610, 5900, 6410, 6610, 6710, 76100
06E02		MANIFOLD, TURBOCHARGER & EXHAUST SYSTEM - 6610 SWITZERLAND, 6810, 7610, 7710
06F01		TURBOCHARGER ASSY. - 6610 SWITZERLAND, 6810, 7610, 7710
06G01		PISTONS & CONNECTING RODS
06J01		ENGINE GASKET KITS
09A01		FUEL SYSTEM, W/DPA ROTARY INJECTION PUMP - 5610 (81/9-85), 6610 (10-83/84), 5900 (11-90/)
09A02		FUEL SYSTEM, W/INLINE INJECTION PUMP (81/9-85)
09A03		FUEL SYSTEM, W/DPS ROTARY INJECTOR PUMP (10-85/)
09A03	A	AUXILIARY FUEL TANK & RELATED PARTS (81/)
09A03	B	FUEL INJECTION TUBE & CLAMP ASSEMBLY - 4 CYL. (DPS PUMP)
09A04		AUXILIARY FUEL TANK & RELATED PARTS - 6710 (81/9-85) - 7710 (81/10-91)
09A05		FUEL SYSTEM, L/AUXILIARY TANK (10-85/)
09A06		FUEL SYSTEM W/AUXILIARY TANK (10-85/)
09A07		FUEL LINES & RELATED PARTS (10-85/)
09B01		FUEL FILTER, SINGLE
09B02		FUEL FILTER, DUAL - ALL EXCEPT - 5900
09B03		DUAL FUEL FILTER & SEDIMENTARY ASSEMBLY - 5900
09C01		FUEL PUMP ASSEMBLY, ROTOR (81/9-85)
09C02		FUEL INJECTION PUMP (INLINE) - 5610 SWITZERLAND - 5900, 6610, 6710, 7610, 7710
09C03		FUEL PUMP ASSEMBLY, DPS ROTARY FUEL INJECTION, UPPER HALF
09C04		FUEL PUMP ASSEMBLY, DPS ROTARY FUEL INJECTION, LOWER HALF
09D01		FUEL INJECTOR ASSEMBLY (81/7-87)
09D01	A	FUEL INJECTOR ASSEMBLY (8-87/)

---

## TABLE OF CONTENTS

---

09E01		ELECTRIC FUEL PUMP (DIESEL) - 6710, 7710
09E01	A	ELECTRIC FUEL PUMP (DIESEL) - 5610 W/AUXILIARY FUEL TANK
09E02		FUEL PUMP ASSEMBLY
09F01		DIESEL COLD START (81/)
09F02		DIESEL COLD START - 6710, 7710
09F03		DIESEL COLD START (10-85/)
09G01		AIR CLEANER ASSEMBLY
09G02		AIR CLEANER ASSEMBLY, OIL BATH TYPE (NH-E) - 5610, 6610
09G03		AIR CLEANER ASSEMBLY, OIL BATH TYPE - 5900
09H01		THROTTLE CONTROLS & RELATED PARTS
09H02		FOOT THROTTLE CONTROLS, L/CAB
09H03		FOOT THROTTLE CONTROLS, W/CAB
09H04		THROTTLE CONTROLS (81/9-85) - 6710, 7710
09H05		THROTTLE CONTROLS (10-85/), W/Q CAB, ALL MODELS, L/CAB, 7710
09J01		FUEL SEDIMENTER & FILTER ASSEMBLY
09K01		PRIMER ASSEMBLY, FUEL
07A01		8-SPEED NON-SYNC. TRANSMISSION, W/ OR L/ DUAL POWER - 5110, 5610, 5900, 6410, 6610, 6810, 7610
07A02		8-SPEED NON-SYNC. TRANSMISSION, W/ OR L/ DUAL POWER - 6710, 7710
07A02	A	TRANSMISSION GEARSHIFT & COVER ASSEMBLY (81/1-86) - 5610, 6610, 6710, 7610, 7710
07A02	B	GEARSHIFT & COVER ASSEMBLY & RELATED PARTS, NON SYNC. TRANSMISSION (2-86/)
07A03		8-SPEED NON-SYNC. TRANS. GEARS-5110,5610,5900,6410,6610,6710,6810 (81/)&7610,7710 (5-84/)
07A03	A	8-SPEED NON-SYNCRONIZED TRANSMISSION GEARS - 7610 MUDDER, U.S.
07A04		8-SPEED NON-SYNCRONIZED TRANSMISSION GEARS - 7610, 7710 (81/4-84)
07A05		DUAL POWER ASSEMBLY - 5110, 5610, 6410, 6610, 6710, 6810, 7610, 7710
07B01		SYNCRONIZED TRANSMISSION - 5110, 5610, 6410, 6610, 6810, 7610
07B01	A	TRANSMISSION GEARSHIFT COVER ASSEMBLY (PRE "H" PATTERN) - 5610, 6610,7610 (81/4-83)
07B01	B	TRANSMISSION GEARSHIFT COVER ASSEMBLY (W/"H" PATTERN) - 5110, 5610, 6410, 6610, 6810, 7610 (5-83/)
07B02		SYNCRONIZED TRANSMISSION - 6710, 7710
07B02	A	COVER & CONTROL ASSEMBLY - TRANSMISSION GEARSHIFT - 6710, 7710 (81/9-85)
07B02	B	TRANSMISSION GEARSHIFT COVER ASSEMBLY - W/Q-CAB, W/SYNC. (10-85/)
07B03		GEARS, SYNCRONIZED TRANSMISSION
07B04		COLUMN MOUNTED GEARSHIFT (81/4-83) - 5610, 6610, 7610
07B05		"H" PATTERN SHIFT ASSY., 5110,5610,6410,6610,6810,7610 W/ OR L/CAB (5-83/9-85) - W/LP CAB OR L/CAB (10-85/)
07C01		OIL COOLING SYSTEM - 6710, 7710
07C02		OIL COOLING SYSTEM - EXCEPT 6710, 7710

---

TABLE OF CONTENTS

---

07C02	A	OIL COOLING SYSTEM, 5900
07D01		POWER TAKE-OFF ASSEMBLY (SINGLE SPEED)
07D01	A	POWER TAKE-OFF ASSEMBLY (SINGLE SPEED) - 5900
07D02		2-SPEED PTO ASSEMBLY
07D02	A	2-SPEED SHIFTABLE PTO (NH-E)
07D02	B	PTO CONTROLS, 2-SPEED SHIFTABLE (NH-E)
07D03		PTO CLUTCH LINKAGE, W/CAB (81/9-85)
07D04		PTO CLUTCH LINKAGE (81/9-85) - 6710, 7710
07D05		PTO CLUTCH LINKAGE (10-85/) - ALL MODELS W/Q-CAB - 7710 L/CAB
07D06		PTO GUARD (81/9-85)
07D06	A	PTO GUARD (10-85/)
07D07		PULLEY W/GUARD - 5110, 5610, 6410, 6610, 6610O, 6710, 6810, 7410, 7610, 7710
07E01		CLUTCH CONTROLS, W/CAB (81/9-85), 5110, 5610, 6610 & 7610
07E02		CLUTCH CONTROLS, L/CAB - 5110, 5610, 5900, 6410, 6610, 6810, 7610
07E03		CLUTCH CONTROLS (81/9-85), 6710 & 7710
07E03	A	CLUTCH CONTROLS (10-85/), 5610, 6610, 7610 & 7710
07E04		12" CLUTCH ASSEMBLY - 5610, 6610, 6710 (81/9-85) - 5900 (5-85/)
07E05		13" CLUTCH ASSEMBLY - 5110, 6410, 6710, 6810, 7410, 7610, 7710 (81/) - 5610, 6610 (10-85/) (10-85/)
07F01		REDUCTION GEAR BOX ASSEMBLY, W/SYNC. TRANS. (81/4-83) - 5610, 6610, 7610
07F02		REDUCTION GEAR BOX ASSEMBLY, W/SYNC. TRANS. (5-83/), L/Q-CAB
07F03		REDUCTION GEAR BOX ASSEMBLY, W/SYNC. TRANS. (85/9-85) - 6710, 7710
07F03	A	REDUCTION GEAR BOX ASSEMBLY, W/SYNC. TRANS. (10-85/) - ALL MODELS, W/Q-CAB - 7710, 7910 L/CAB
07F04		REDUCTION GEAR BOX ASSEMBLY, L/SYNC. TRANS. - 5610, 6610, 7610
08A01		RADIATORS & RELATED PARTS
08A02		RADIATOR & OIL COOLER - 6810, 7610 W/AC - (6-89/)
08B01		WATER PUMP & RELATED PARTS (81/)
08B01		WATER PUMP & RELATED PARTS (81/)
08B01		WATER PUMP & RELATED PARTS (81/)
08B01		WATER PUMP & RELATED PARTS (81/)
08B01		WATER PUMP & RELATED PARTS (81/)
08B01		WATER PUMP & RELATED PARTS (81/)
08B01		WATER PUMP & RELATED PARTS (81/)
08B01		WATER PUMP & RELATED PARTS (81/)
08B01		WATER PUMP & RELATED PARTS (81/)
08B01		WATER PUMP & RELATED PARTS (81/)
08B01	C	WATER PUMP REPAIR KITS
08B02		WATER PUMP & RELATED PARTS - 5900 U.S.

---

## TABLE OF CONTENTS

---

08C01		KIT, FILTER ASSEMBLY, WATER, U.S. D.I.A.
08C01	A	KIT, COOLANT FILTER
08C01	B	COOLANT RESERVOIR, KIT, 5610 TO 7610, 7710
08D01		OIL COOLER
04A01		REAR AXLE, DIFFERENTIAL & RELATED PARTS
04B01		DIFFERENTIAL LOCK CONTROLS
04C01		CENTER HOUSING & RELATED PARTS
04C02		OIL FILL TUBE
04D01		REAR AXLE ASSEMBLY - (DROP TRUMPET) 7610 MUDDER, U.S.
02A01		BRAKES & BRAKE CONTROLS - EXCEPT 6710 & 7710
02A02		BRAKES - 6710, 7710
02A03		BRAKE LINKAGE & PEDALS, W/CAB (81/9-85) - EXCEPT 6710 & 7710
02A04		BRAKE LINKAGE & PEDALS (81/9-85), 6710 & 7710
02A05		BRAKE LINKAGE & PEDALS (10-85/), 6710 & 7710
02B01		TRANSMISSION HANDBRAKE (81/9-85) - 5610, 6610, 7610 L/CAB, L/FWD
02B02		TRANSMISSION HANDBRAKE, W/CAB, L/FWD
02B03		TRANSMISSION HANDBRAKE W/FWD - 5110, 5610, 6410, 6610, 6810, 7610 W/CAB & 6710, 7710 L/CAB
02B04		HANDBRAKE, L/CAB (NH-E) - EXCEPT 6710 & 7710
02B05		SINGLE CABLE HANDBRAKE, W/CAB, NH-E (81/9-85) - 6710, 7710
02B06		TWIN CABLE HANDBRAKE
02C01		HYDRAULIC TRAILER BRAKES, W/CAB, NH-E
02C02		HYDRAULIC TRAILER BRAKE PEDALS - L/CAB - 5610, 6610, 7610 BASILDON
11A01	L	LH ELECTRICAL SYSTEM, US
11A01	R	RH ELECTRICAL SYSTEM, US
11B01		ELECTRICAL SYSTEM, NH-E
11C01		HEAD & UTILITY LAMPS, U.S. FENDER & CAB MOUNTED
11C01	A	HEADLAMP ASSEMBLY, W/CAB
11C02		INSERT HEADLAMP ASSEMBLY, ECE - 5610, 6610, 7610 (NH-E) (81/6-84) - 66100 U.S. (81/4-85)
11C03		SIDE MOUNTED HEADLAMPS - 6710, 7710 (NH-E) (81/10-85)
11C04		SIDE MOUNTED HEADLAMPS - 6710, 7710 (NH-E) (81/4-85)
11C05		SIDE MOUNTED HEADLAMPS - 5610, 6610, 7610 (NH-E) (81/10-85)
11C06		HEADLAMP ASSEMBLY - 5610, 6610 BRAZIL (81/10-85)
11C07		SIDE MOUNTED HEADLAMPS - 5900 U.S.
11C08		HEADLAMP, SIDE MOUNTED
11C08	A	HEADLAMP, SIDE MOUNTED, 5610 & 6610 (11-91/)
11C09		INSERT HEADLAMP ASSEMBLY, NH-E (6-84/), U.S. (6-87/)

---

## TABLE OF CONTENTS

---

11D01		REAR WIRING (W/FLAT TOP FENDERS) - 5610, 5900, 6610, 7610
11D02		REAR WIRING (W/STOP LAMPS, FLASHER & TURN SIGNAL)
11D03		HARNES ASSEMBLY, REAR LAMP - 6610
11E01		FLASHER LAMPS & TURN SIGNALS, US
11E01	A	LAMP ASSEMBLY, EMERGENCY WARNING, U.S.
11E01	B	LAMP ASSEMBLY, LICENSE PLATE (10-85/) - 5610, 6610, 7610, 7710
11E02		REAR LAMPS, STOP & FLASHER (W/FLAT FENDERS L/W A.P. CAB)
11E03		PARKING LAMPS, SIDE & FLASHER (W/FLAT FENDERS - L/CAB)
11E03	A	LAMP ASSEMBLY, REAR L/CAB, U.S. (83/10-85)
11E03	B	LAMP ASSEMBLY, REAR, U.S.
11E03	C	LAMP ASSEMBLY, REAR - 5900, U.S.
11E03	D	FLASHER LAMP & WIRING, REAR - 5900, U.S.
11E04		LAMPS, FRONT & SIDE, STOP & FLASHER, W/TURN IND., W/CAB (NH-E)
11E05		REAR LAMP, BRAZIL - 5610, 6610
11E06		REAR LAMPS (STOP, SIDE & FLASHER W/WIDE FENDERS)
11E07		PARKING & REAR LAMPS
11E08		HORN, BRACKET & BUTTON ASSEMBLY - 5900, U.S.
11E09		LAMP ASSEMBLY, STOP & TURN (10-85/)
11E10		LAMP ASSEMBLY, SIDE & FLASHER (10-85/)
11E11		LAMP, FRONT & REAR, W/CAB
11E12		LAMP ASSEMBLY, FLASHER WARNING - 6610 & 7610 ORCHARD
11F01		BATTERY & BATTERY SUPPORT
11F02		BATTERY, TRAY & STEP ASSEMBLY - 6710, 7710
11G01		STARTING MOTOR & RELATED PARTS, DIESEL (5" DIAMETER)
11G02		STARTING MOTOR, BRAZIL - 5610, 6610
11G03		STARTING MOTOR ASSEMBLY - DIESEL (5" DIAMETER)
11H01		ALTERNATOR ASSEMBLY - 32, 51, & 55 AMP (U.S.)
11H02		ALTERNATOR ASSEMBLY - 46 AMP (NH-E) (81/10-84)
11H02	A	ALTERNATOR ASSEMBLY - 28 & 46 AMP (NH-E) (11-84/7-87)
11H02	B	ALTERNATOR ASSEMBLY - 45 AMP (8-87/)
11H02	C	ALTERNATOR ASSEMBLY - 70 AMP., (10-85/2-88), 80 AMP (3-88/)
11H02	D	ALTERNATOR & FAN GUARD, GERMANY, AUSTRIA, SWEDEN, FINLAND, DENMARK & U.K. - 6710, 7710
11H03		ALTERNATOR ASSEMBLY, 32 AMP, BRAZIL - 5610, 6610, 7610
11J03		PLOW LAMP, W/FLAT-TOP FENDERS (NHNA); W/WIDE FENDERS (NH-E)
11K01		TRAILER SOCKETS, 2 POLE (NH-E)
11L01		LICENSE PLATE MOUNTING & LAMP ASSEMBLY, W/CAB & WIDE FENDERS (EEC MARKET)



---

**TABLE OF CONTENTS**

---

11L02		LICENSE PLATE MOUNTING W/2 LAMPS, W/CAB, NH-E (CAB MOUNTED)
11M01		IMPLEMENT LAMP ASSEMBLY, ACCESSORY, U.S.
11M01	A	IMPLEMENT LAMP ASSEMBLY - 5900
11M02		PLOW (PLOUGH) LAMP ASSEMBLY (NH-E)
11M02	A	PLOW LAMP ASSEMBLY, NH-E, L/CAB (81/), U.S. (11-85)
11M03		PLOW LAMP, W/CAB
11M04		PLOW LAMP, BRAZIL - 5600, 6600
11M05		IMPLEMENT LAMP ASSEMBLY, U.S.
11M06		IMPLEMENT LAMP ASSEMBLY, U.S. (4-82/85)
11N01		BUZZER ASSEMBLY, HANDBRAKE
11P01		SOCKET ASSEMBLY, TRAILER
11Q01		STOP & TAILLIGHTS, D.I.A., U.S. (11-85/)
11Q02		HORN ASSEMBLY, D.I.A., U.S. (11-85/)
11Q03		LAMP ASSEMBLY, LICENSE PLATE, D.I.A., U.S. (11-85/)
11Q04		KIT LIGHT SWITCH CONVERSION
03A01		FRONT AXLE, STEERING & RELATED PARTS, MANUAL - 5110, 5610, 6410, 6610
03A02		FRONT AXLE, STEERING & RELATED PARTS, POWER - 5610, 6610, 66100, 7610 (81/3-85) 5900 (85/)
03A02	A	STEERING SYSTEM, POWER - EXCEPT 6710 & 7710 (4-85/), 2 & 4WD 5900 (5-85/)/ L/CAB & W/LP CAB
03A02	A01	STEERING SYSTEM, POWER - EXCEPT 6710 & 7710 (10-85/), 2 & 4WD W/Q-CAB
03A02	B	FRONT AXLE, STEERING & RELATED PARTS, POWER - EXCEPT 6710 & 7710 (4-85/), 5900 (5-85/)
03A02	C	HEAVY DUTY AXLE - EXCEPT 6710 & 7710
03A03		STEERING SYSTEM, 6710 & 7710
03A04		FRONT AXLE, SPINDLE & RELATED PARTS, 6710 & 7710
03B01		STEERING GEAR ASSEMBLY - 5110, 5610, 5900, 6410, 6610
03B02		STEERING GEAR ASSEMBLY, POWER - 5610, 6610, 7610 (81/3-85), 5900 (85/)
03B02	A	STEERING COLUMN ASSEMBLY - 5610, 6610, 7610 (4-85/9-85), L/CAB, LP CAB
03B02	B	STEERING COLUMN ASSEMBLY - 5610, 6610, 7610, 7710 (10-85/12-85) Q-CAB
03B02	C	STEERING COLUMN ASSEMBLY - 5610, 6610, 6710, 7610, 7710 (1-86/)
03B02	D	STEERING COLUMN ASSEMBLY - EXCEPT 6710 & 7710 L/CAB, OR W/LP CAB
03B03		STEERING COLUMN ASSEMBLY - TILT 6710, 7710, NON-TILT 6710 (81/9-85)
03B04		STEERING MOTOR, 6710 & 7710 (81/9-85)
03B04	A	STEERING MOTOR, 5110, 5610, 5900, 6410, 6610, 6810 & 7610 (4-85/); 7710 (10-85/)(TRW)
03B04	B	STEERING MOTOR, 5110, 5610, 5900, 6410, 6610, 6810 & 7610 (4-85/); 7710 (10-85/)(ROSS)
03C01		POWER STEERING PUMP & RESERVOIR, 5610, 6610, 7610 (81/3-85), 6710, 7710 (82/)& 5900 (4-85/4-88)
03C01	A	POWER STEERING PUMP & RESERVOIR ASSEMBLY - 5610, 6610, 66100, 7610 (4-85/), 5900 (85/)
03D01		POWER STEERING CYLINDER ASSEMBLY & END ASSEMBLY - 6710 (81/10-85), 7710 (81/1-87)

---

TABLE OF CONTENTS

---

03D01	A	POWER STEERING CYLINDER ASSEMBLY - 5610, 5910, 6610, 7610 (4-85/), 5900 (5-85/)
03D01	B	POWER STEERING CYLINDER ASSEMBLY & END ASSEMBLY - 7710
03H01		RH FRONT AXLE & DIFFERENTIAL PARTS, FWD, (APL-325) (81/4-84) - 5610, 6610, 6710, 7610, 7710
03H02		FRONT AXLE, HUB, SPINDLE & PLANET CARRIER (81/4-84) - 5610, 6610, 6610O, 6710, 7610, 7710
03H03		FRONT SUPPORT, POWER STEERING CYLINDER & RELATED PARTS, FWD (APL-325) (81/4-84) - 5610,6610,6610O,6710,7610,7710
03H03	A	STEERING DAMPER KIT (APL 325-335 81/4-85) (APL-345 11-84/4-85) - 5610, 6610, 6610O, 6710, 7610, 7710
03H04		FRONT SUPPORT & RELATED PARTS, FWD, (APL-325) (81/4-84) - 5610, 6610, 6610O, 7610
03H05		TRANSFER CASE, FWD, L/TRANSMISSION HANDBRAKE, (APL-325 81/4-84) - 5610,6610,6610O,6710,7610,7710
03H06		TRANSFER CASE, FWD, W/TRANSMISSION HANDBRAKE, (APL-325 81/4-84) - 5610,6610,6610O,6710,7610,7710
03H07		FRONT DRIVE SHAFT, GEAR, COUPLING & TRANSFER CASE ATTACHING PARTS, FWD (APL 325) - 5610,6610,6610O,6710,7610,7710
03J01		RH FRONT AXLE & DIFFERENTIAL PARTS, FWD - 5110, 5610, 6610, 6410, 6810, 7610
03J02		FRONT AXLE, HUB, SPINDLE & PLANET CARRIER, FWD (APL-335 5-84/3-85) - 5110,5610,6410,6610,6810,7610
03J02	A	POWER STEERING CYLINDER & RELATED PARTS, FWD (APL-335 4-85/1-87) - 5110, 5610, 6410, 6610
03J03		TRANSFER CASE, FWD, L/TRANSMISSION HANDBRAKE - 5110, 5610, 6410, 6610, 6810, 7610
03J04		TRANSFER CASE, FWD, W/TRANSMISSION HANDBRAKE- 5610, 6610, 7610 (APL 335)
03J05		SHIELD ASSEMBLY, FWD - 5110, 5610, 6410, 6610, 6810, 7610 (APL 335)(5-84/3-85) 5610, 6610 (4-85/)
03K01		RH FRONT AXLE & DIFFERENTIAL PARTS, FWD - 6710, 7710 (4-84/2-87) (APL 345 & 350) 7610 (4-85/4-87)
03K02		LH FRONT AXLE, HUB, SPINDLE & PLANET CARRIER - 6710,7710 (APL 345/350)(4-84/2-87) 7610 (4-85/4-87)
03K03		FWD POWER STEERING CYLINDER - (APL345 & 350) 6710, 7710 (4-84/2-87), 7610 (4-85/4-87)
03K04		TRANSFER CASE, FWD - (APL345 & 350) 6710, 7710 (4-84/2-87), 7610 (12-84/4-87)
03K05		SHIELD ASSEMBLY, FWD - (APL345 & 350) 6710, 7710 (4-84/2-87), 7610 (4-85/4-87)
03L01		AXLE HOUSING - 709/19 S2 - 5110, 5610, 6610, 6810 (7-87/), 7610 (4-87/), 7710 (2-87/)
03L02		SWIVEL HOUSINGS & STEERING CYLINDER - 709/19 S2 - 5110,5610,6410,6610 (7-87/) 6810,7610 (4-87/), 7710 (2-87/)
03L03		BEVEL GEAR/PINION SET - 709/19 S2 - 5110, 5610, 6410, 6610 (7-87), 6810, 7610 (4-87/), 7710 (2-87)
03L04		LIMITED SLIP DIFFERENTIAL - 709/19 S2 - 5110, 5610, 6410, 6610 (7-87/), 6810, 7610 (4-87), 7710 (2-87/)
03L05		DRIVESHAFT - 709/19 S2 - 5610, 6410, 6610, 6810 (7-87), 7610 (4-87/), 7710 (2-87/)
03L06		REDUCTION GEARS - 5110, 5610, 6410, 6610 (7-87/)
03L07		REDUCTION GEARS - 7610 (4-87/), 7710 (2-87/)
03L09		TRANSFER BOX & RELATED PARTS - 5110, 5610, 6410, 6610, 6810 (7-87/), 7610 (4-87/), 7710 (2-87/)
03L10		SHIELD ASSEMBLY & RELATED PARTS - 5110, 5610, 6410, 6610 (7-87/), 6810, 7610 (4-87/), 7710 (2-87/)
05A01		HYDRAULIC LIFT COVER & RELATED PARTS - 6710, 7710
05A02		HYDRAULIC LIFT COVER & RELATED PARTS - EXCEPT 6710 & 7710
05A02	A	HYDRAULIC LIFT COVER & RELATED PARTS - 5900
05A03		HYDRAULIC LIFT CONTROLS, W/CAB - 5610, 6610, 7610 (81/) 5110, 6410, 6610O, 6810

---

## TABLE OF CONTENTS

---

05A04		HYDRAULIC LIFT CONTROLS - 6710, 7710 (81/9-85)
05A04	A	HYDRAULIC LIFT CONTROLS (10-85/) - 5610, 6610, 7610, 7710
05A05		HYDRAULIC LIFT SHAFT & RELATED PARTS
05A05	A	HYDRAULIC LIFT SHAFT & RELATED PARTS - 5900
05B01		HYDRAULIC LIFT CYLINDER
05B01	A	HYDRAULIC LIFT CYLINDER & RELATED PARTS, 5900
05B02		HYDRAULIC LIFT LOAD MONITOR & RELATED PARTS
05B03		HYDRAULIC LIFT CYLINDER
05C01		HYDRAULIC LIFT LINKAGE
05C02		EXTERNAL LIFT CHECK CHAIN
05D01		STABILIZER KIT (ACCESSORY)
05E01		SWINGING DRAWBAR & HANGER
05E01	A	SWINGING DRAWBAR, HEAVY DUTY
05E01	B	SWINGING DRAWBAR - 5900
05E02		DRAWBAR STAYS KIT (ACCESSORY)
05E02	A	STABILIZER ASSEMBLY
05E02	B	STABILIZER ASSEMBLY, LOWER LIFT LINK
05F01		DELUXE REMOTE CONTROL, 1 THRU 4 REMOTES , L/CAB - 5610, 6610, 7610 (81/82)
05F02		DELUXE REMOTE CONTROL, 1 THRU 4 REMOTES, W/ OR L/CAB - 6710, 7710 (81/82)
05F03		DELUXE REMOTE CONTROL, 1 OR 2 REMOTES, (RH), W/CAB - 5610, 6610, 7610 (81/82)
05F04		DELUXE REMOTE CONTROL, 3 OR 4 REMOTES, (LH), W/CAB - 5610, 6610, 7610 (81/82)
05F05		DELUXE REMOTE CONTROL, 1 THRU 4 REMOTES, L/CAB - 5110, 5610, 6410, 6610, 6810, 7610 (83/)
05F06		DELUXE REMOTE CONTROL, 1 OR 2 REMOTES (RH), ALL W/CAB & 6710, 7710 L/CAB (83/)
05F07		DELUXE REMOTE CONTROL, 3 OR 4 REMOTES (LH), ALL W/CAB & 6710, 7710 L/CAB (83/)
05F07	A	MANIFOLD & COUPLERS (LEVERLESS)
05F07	B	COUPLING ASSY., REMOTE CONTROL (LEVERLESS)
05F08		KIT, COUPLING
05F08	A	SINGLE ACTING PIPE & COUPLING
05F09		HANDLES, HYDRAULIC REMOTE CONTROL VALVE - 6710, 7710
05F10		HANDLES, HYDRAULIC REMOTE CONTROL VALVE - 6710, 7710 W/L CAB
05F10	A	HANDLES, HYDRAULIC REMOTE CONTROL VALVE, EXCEPT 6710 & 7710 (10-85/)
05G01		DELUXE REMOTE CONTROL VALVE, SINGLE & DOUBLE SPOOL - EXCEPT 5900
05G02		DELUXE REMOTE CONTROL VALVE, SINGLE & DOUBLE - 5900
05G03		DOUBLE ACTING REMOTE CYLINDER COUPLING
05G04		HYDRAULIC REMOTE VALVES - OPEN CENTER - 5900
05H01		REMOTE CONTROL UNLOAD VALVE ASSEMBLY (81/9-91)

---

## TABLE OF CONTENTS

---

05H02		VALVE, HYDRAULIC LIFT UNLOAD (10-91/)
05J01		QUICK HITCH LINKAGE & RELATED PARTS (NH-E)
05J02		HYDRAULIC LIFT ASSISTOR RAM KITS
05J03		AUTOMATIC PICK-UP HITCH W/SWINGING DRAWBAR (NH-E)
05K01		IN-CAB HYDRAULIC LIFT LEVELING (NH-E) - 5610, 6610, 6710, 7610, 7710
05K02		IN-CAB HYDRAULIC LIFT LEVELING LINKAGE & TOWER (NH-E) - 5610, 6610, 6710, 7610, 7710
05K03		IN-CAB LEVELING (NH-E) (10-85/)
05L01		LOAD MONITOR CYLINDER HOSE & COUPLING MOUNTING
10A01		HYDRAULIC PUMP ASSEMBLY (ENGINE MOUNTED)
10B01		ENGINE MOUNTED HYDRAULIC PUMP TUBING - 5610, 6610, 7610
10B02		ENGINE MOUNTED HYDRAULIC PUMP TUBING - 6710, 7710
10C01		HYDRAULIC PUMP ASSEMBLY
10D01		HYDRAULIC PUMP ASSEMBLY, GEAR TYPE - 5900
14A01		FLAT TOP FENDERS, PLATFORM & TOOL BOX (U.S.) - 5610, 5900, 6610, 7610
14A01	A	REAR FENDERS - 66100
14A02		FLAT TOP FENDERS, PLATFORM & TOOL BOX (NH-E) - 6410, 6610, 6810, 7610
14A03		REAR MUD FENDERS, W/CAB - 7610, 7710
14A04		REAR FLAT TOP FENDERS, U.S. - 6710, 7710
14A05		REAR FLAT TOP FENDERS (NH-E) - 6710, 7710
14A06		PLATFORM & CONTROL CONSOLE - 6710, 7710
14B01		ENGINE HOOD & GRILLE - EXCEPT 6710, 7710
14B02		ENGINE HOOD & GRILLE - 6710, 7710
14B03		RADIATOR SHELL & GRILLE - 5900
14C01		REFLECTORS, U.S.
14C02		REFLECTORS (NH-E)
14C03		REFLECTORS (NH-E)
14D01		FRONT FENDERS (81/1-87)
14D01	A	FRONT FENDERS, GERMANY
14D02		FRONT FENDERS (2-87/) - 5610, 6610, 7610, 7710
14D03		REAR MUD FENDERS, W/CAB
14E01		"H" PATTERN COVERS & SEALS, L/CAB
14E02		COVERS, BOOTS & PANELS, W/CAB
01A01		FRONT WHEEL ASSEMBLY
01A01	A	FRONT WHEEL, W/FWD - 5410, 5610, 6410, 6610 (7-87), 7410, 7610 (4-87), 7610 MUDDER - 7710 (2-87)
01A02		FRONT WHEEL, 2 PIECE RIM - U.S. 66100
01A03		FRONT BUMPER, ACCESSORY - 5110, 5610, 6410, 6610

---

## TABLE OF CONTENTS

---

01B01		STANDARD REAR WHEELS, MANUAL ADJUSTABLE
01B01	A	STANDARD REAR WHEELS
01B02		POWER ADJUSTABLE REAR WHEELS
01B03		DUAL REAR WHEELS
01C01		FRONT END WAFER WEIGHTS, ACCESSORY
01D01		FRONT WHEEL WEIGHTS, ACCESSORY - 5610, 5900, 6610, 7610
01E01		24" REAR WHEEL WEIGHTS, MANUAL - 66100
01E02		30" REAR WHEEL WEIGHTS FOR MANUAL ADJUSTABLE WHEELS, ACCESSORY
01E03		34", 36", & 38" REAR WHEEL WEIGHTS FOR MANUAL ADJUSTABLE WHEELS, ACCESSORY
01E04		30" & 34" REAR WHEEL WEIGHTS FOR POWER ADJUSTABLE WHEELS, U.S., ACCESSORY
01E05		38" POWER ADJUSTABLE WHEELS
01E06		MANUAL ADJUST REAR WHEEL WEIGHTS W/SQUARE WHEELS 28" TO 38"
01E08		KIT, REAR WHEEL WEIGHT, FOR PRESSED STEEL DISC
12A01		INSTRUMENT CLUSTER ASSEMBLY & RELATED PARTS, W/OR L/CAB (81/9-85), L/CAB OR W/LP CAB (10-85/)
12A02		MECHANICAL INSTRUMENT CLUSTER ASSEMBLY & RELATED PARTS, W/Q-CAB (10-85/)
12A03		INSTRUMENT CLUSTER ASSEMBLY & RELATED PARTS (81/1-83) - 6710, 7710
12A04		INSTRUMENT CLUSTER ASSEMBLY & RELATED PARTS (2-83/) - 6710, 7710
12A05		INSTRUMENT PANEL, W/CAB, U.S. - 5610, 6610, 7610, 7710
12A06		INSTRUMENT PANEL (NH-E)
12A07		INSTRUMENT CLUSTER ASSEMBLY, W/ELECTRONIC CLUSTER
12A08		INSTRUMENT CLUSTER & RELATED PARTS, BRAZIL - 5610, 6610
12B01		FIELD MONITOR, US FACTORY INSTALLED OPTION, W/MIC
12B01	A	KIT, FIELD MONITOR RETROFIT, U.S. D.I.A., W/MIC - 6710, 7710 W/FWD
12B02		FIELD MONITOR, W/EIC
12B02	A	KIT, PERFORMANCE MONITOR, 5610, 6610 & 7610, EXCEPT UK, (11-87/) 5110, 6410 & 6810
12B02	B	KIT, PERFORMANCE MONITOR, 5610, 6610 & 7610, UK, (11-87/)
12C01		HOURMETER ASSEMBLY, ELECTRIC, D.I.A., U.S. (11-85/)
12C02		LIGHTER ASSEMBLY, CIGAR, D.I.A., U.S. (11-85/)
12C03		VOLTMETER ASSEMBLY, D.I.A., U.S. (11-85/)
16A01		IDENTIFICATION DECALS
16B01		INSTRUCTION DECALS
16B02		INSTRUCTION DECALS
16C01		KIT, INSTRUCTION & SAFETY DECALS
16D01		SAFETY DECALS
16D02		SAFETY DECALS
16D03		SAFETY DECALS

---

## TABLE OF CONTENTS

---

16D04		SAFETY DECALS
16D05		SAFETY DECALS
16E01		SHIFT PATTERN DECALS
15A01		CAB BODY, DOORS, ROOF, FRONT & SIDE GLASS (81/9-85)
15A02		UPPER & LOWER REAR WINDOWS, U.S. (81/9-85)
15A03		REAR WINDOWS (NH-E) (81/9-85)
15A04		CAB INTERIOR TRIM - 5610, 6610, 7610 (81/9-85)
15A04	A	COLUMN SHIFT, TRIM - 5610, 6610, 7610 (81/9-85)
15A05		CAB INTERIOR TRIM - 6710, 7710 (81/9-85)
15A06		CAB UNDERBODY (81/9-85)
15A07		CAB ELECTRICAL SYSTEM (81/9-85)
15A08		AIR CONDITIONING & HEATER HOSES (81/9-85)
15A08	A	WATER HEATER HOSES (81/9-85)
15A09		HEATER & A/C EVAPORATOR & DEHYDRATOR (81/9-85)
15A09	A	AIR CONDITIONER CONVERSION KITS
15A10		COMPRESSOR & CONDENSER
15A11		WINDSHIELD WASHER - LP CAB (81/)
15A12		FRAME ASSEMBLY, ROLL BAR, UPPER (NH-E) (10-85/)
15A13		ROOF ASSEMBLY, CANOPY
15A14		2-POST ROLLBARS, W/STABILIZER LINKS, U.S.
15A14	A	2-POST ROLLBARS, L/STABILIZER LINKS, U.S.
15A15		SEAT BELT FOR ROPS, U.S.
15A16		CABS, SOFT SIDE, U.S.
15A16	A	ROLL BAR CANOPY ASSEMBLY (ACCESSORY), U.S.
15A17		ROUND ROOF SAFETY FRAME, GERMANY - 5610, 6610, 7610
15B01		CAB FRAME & STEPS, LP CAB
15B02		LOW OUTER ROOF, LP CAB
15B03		HIGH OUTER ROOF, LP CAB
15B04		ROOF HATCH, LP CAB
15B05		INNER ROOF, LP CAB
15B05	A	INNER ROOF, LOW HEATING UNIT, LP CAB (2-84/)
15B06		HEATING UNIT, LP CAB (82/1-84)
15B07		DOORS, LP CAB
15B07	A	DOORS, LP CAB (2-84/)
15B08		REAR UPPER WINDOW, LP CAB
15B09		WINDOWS, LP CAB

---

## TABLE OF CONTENTS

---

15B09	A	WINDSHIELD ASSEMBLY, LP CAB (2-84/)
15B10		FLOOR MATS, TRIM, INSTRUMENT PANEL, LP CAB
15B11		CAB ELECTRICAL, LP CAB
15B12		FENDERS & MISCELLANEOUS INTERNAL TRIM, LP CAB
15B13		REAR VIEW MIRRORS, LP CAB, NH-E ONLY
15B14		WINDSHIELD WIPER, LP CAB
15B15		MOUNTING BRACKETS, LP CAB
15C01		CAB BODY, FRONT & SIDE GLASS (10-85/)
15C02		ROOF ASSY. (10-85/)
15C03		REAR WINDOW, UPPER, U.S. (10-85/)
15C04		REAR WINDOWS, UPPER (NH-E) & LOWER (NH-E) & US (10-85/)
15C05		INTERIOR TRIM (10-85/)
15C06		CAB UNDERBODY (10-85/)
15C07		CAB MOUNTING & INSULATION (10-85/)
15C08		AIR CONDITIONING & HEATER HOSES (10-85/)
15C09		HEATER & A/C EVAPORATOR & DEHYDRATOR, CLOCK (10-85/)
15C10		WINDSHIELD WASHER/WIPER MOTOR (10-85/)
15D01		AIR CONDITIONER COMPRESSOR & CLUTCH, SANDEN
15E01		ROLL BAR, TELESCOPING, NORTH AMERICA - 5610, 6610, 7610, 7710
13A01		DELUXE SUSPENSION SEAT ASSEMBLY - 5610, 6610
13A02		SUPER COMFORT SEAT ASSEMBLY - 5610, 5900, 6610, 7610
13B01		BOSTROM, VIKING SEAT ASSEMBLY - 6710, 7710
13C01		CUSTOM DELUXE SEAT ASSEMBLY - 5610, 6610, 7610
13D01		SEAT ASSEMBLY, BRAZIL UNIQUE - 5610, 6610
13F01		SEAT ASSEMBLY, BOSTROM, (83/9-85), 7 DIGIT S/N - 6710, 7710
13F02		SEAT ASSEMBLY, SUSPENSION, BOSTROM (83/9-85), 7 DIGIT S/N
13F03		SEAT ASSEMBLY, BOSTROM (10-85/), 10 DIGIT S/N
13F04		SEAT ASSEMBLY, SUSPENSION, BOSTROM (10-85/), 10 DIGIT S/N
13G01		SEAT ASSEMBLY, BOSTROM, AIOOU, (10-85/4-87) - 5110, 5610, 6410, 6810, 7610
13H01		SEAT ASSEMBLY, BOSTROM VIKING 303
13J01		SEAT ASSEMBLY, GRAMMER DS85 - 6610, 7610, 7710
13J02		SEAT ASSEMBLY, GRAMMER DS85 - SUSPENSION ASSEMBLY - 6610, 7610, 7710
17A01		PAINTS (U.S. ONLY)
17B01		LUBRICANTS, LUBRICATION EQUIPMENT
17B02		KIT, TOOLS (NH-E)
17C01		HYDRAULIC REMOTE CONTROL CYLINDER ASSY. (ACCESSORY) U.S.

---

## TABLE OF CONTENTS

---

17C02		HYDRAULIC REMOTE CONTROL CYLINDER ASSY. (ACCESSORY) U.S.
17C03		HYDRAULIC REMOTE CONTROL CYLINDER ASSY., W/LOAD MONITOR
17D01		REAR TOW HOOKS (NH-E) (81/83)
17D01	A	REAR TOW HOOKS (NH-E) (84/88)
17D01	B	FRONT TOW HOOKS (NH-E) - 5610, 6610, 6710, 7710
17D02		REAR TOW HOOKS (NH-E) (9-88/)
17E01		REARVIEW MIRROR, FRONT FENDER
17F01		SAFETY EQUIPMENT, U.S.
17G01		DRAWBAR TOWING PIN & CLIP KIT (NH-E)
17G01	A	TIRE PUMP (GAS), U.S.
17G01	B	TIRE PUMP ASSY., FOOT TYPE (NH-E)
17H01		RADIO & RELATED PARTS, CAB MOUNTED (81/9-85)
17J01		ENGINE COOLANT HEATER KITS
17K01		RADIO & RELATED PARTS - CAB (10-85/)
17K02		RADIO & RELATED PARTS, W/LP CAB (NH-E) (2-86/)
17L01		MIRROR ASSEMBLY, REAR VIEW, L/CAB, D.I.A., U.S. (11-85/)





---

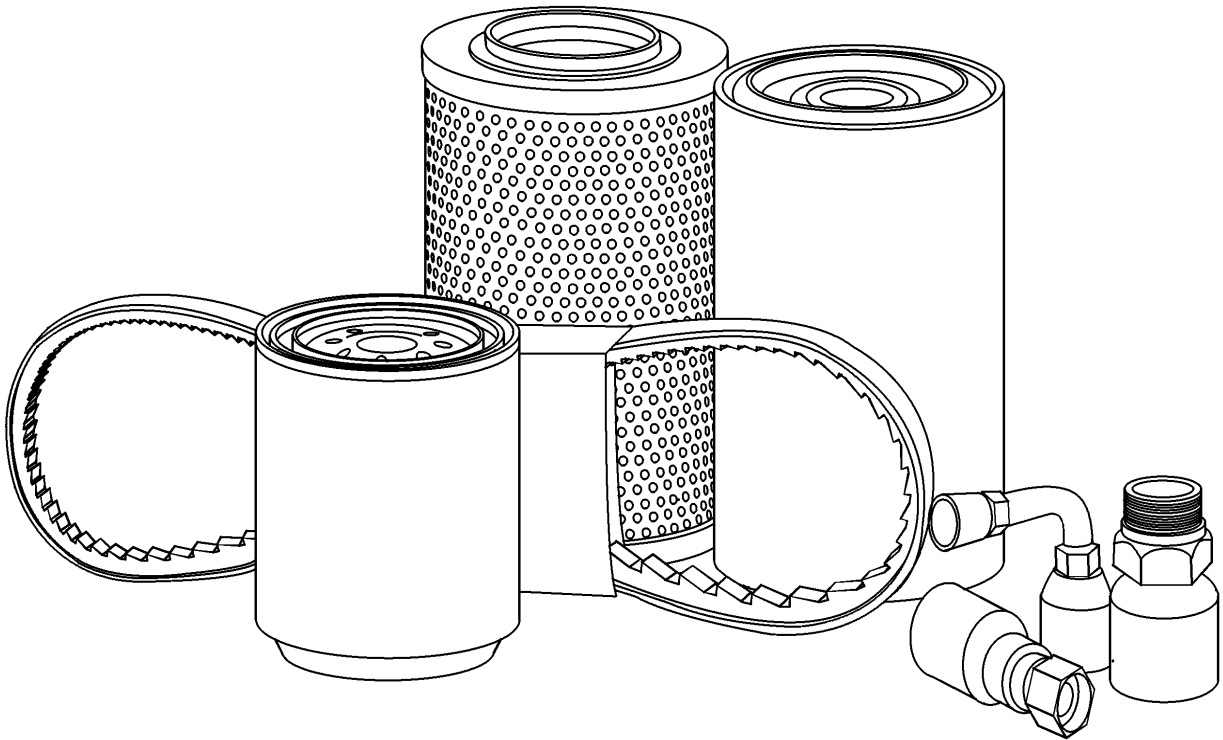
## SECTION INDEX

### GENERAL

---

05.100.03		FILTERS & CAPACITIES,5900
05.100.03	01	FILTERS & CAPACITIES, 6610
05.100.03	02	FILTERS & CAPACITIES,6710
05.100.03	03	FILTERS & CAPACITIES,6810
05.100.03	04	FILTERS & CAPACITIES,7410
05.100.03	05	FILTERS & CAPACITIES,5610
05.100.03	07	FILTER & CAPACITIES, 7710
05.100.03	6	FILTER & CAPACITIES, 7610

FILTERS & CAPACITIES,5900



**FILTERS & CAPACITIES,5900**

<b>REF FN</b>	<b>PART NUMBER</b>	<b>YR/SN</b>	<b>QTY DESCRIPTION</b>
1	84259320		1 ENGINE OIL FILTER Engine Oil
2	E9NN9B618AA		1 AIR FILTER 4/76 & Later
3	86525008		1 AIR FILTER
4	83916852		1 FILTER Cab
5	D8NNB486CA		1 HYDRAULIC OIL FILTER
6	83937061		2 FUEL FILTER

**5900-4 CYL AG TRACTOR MEXICO**

**Thanks very much for your reading,  
Want to get more information,  
Please click here, Then get the complete  
manual**

**JustClickHere** 

**NOTE:**

**If there is no response to click on the link above,  
please download the PDF document first, and then  
click on it.**

**Have any questions please write to me:  
[admin@servicemanualperfect.com](mailto:admin@servicemanualperfect.com)**